

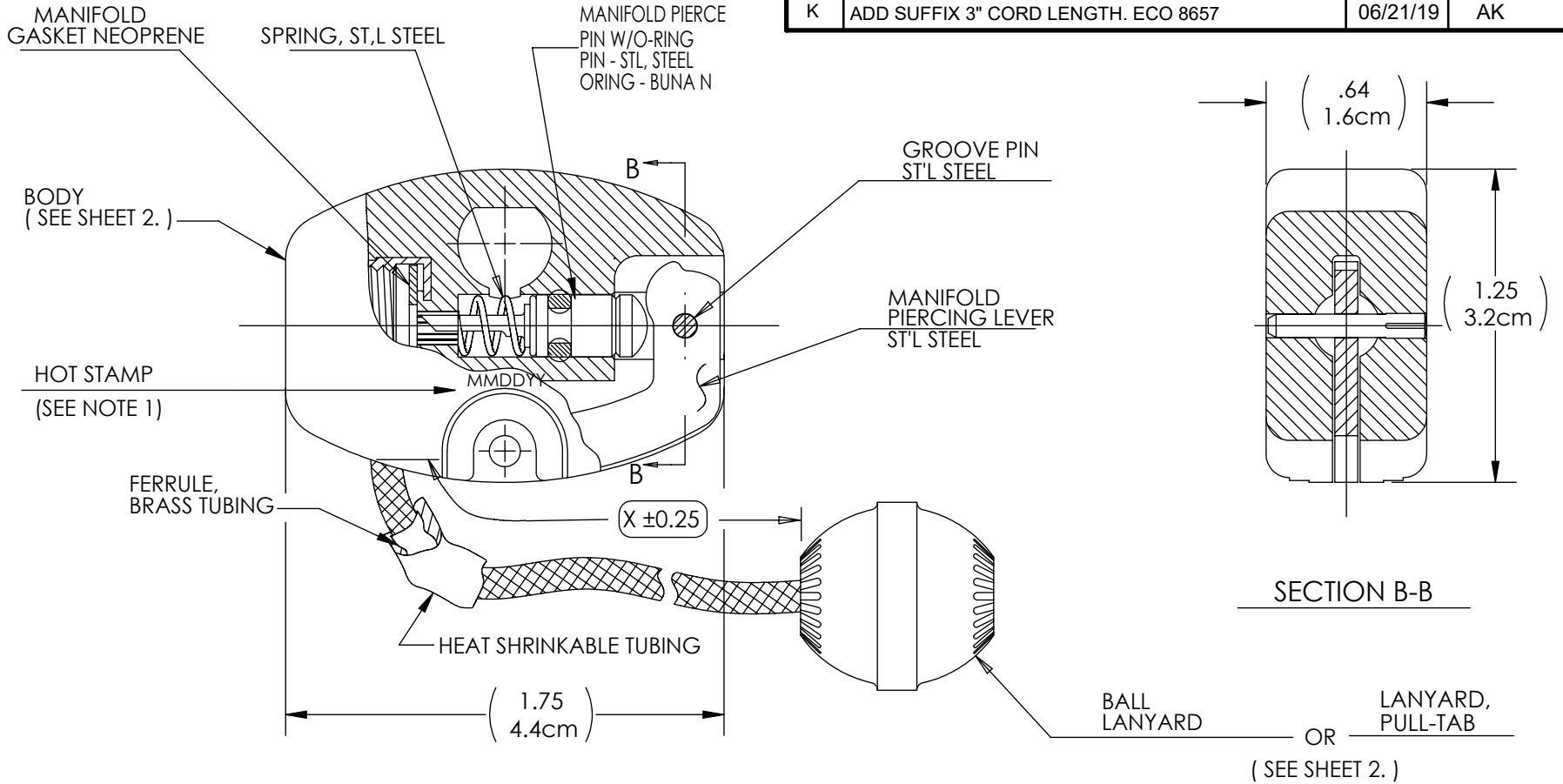
DRAWING NO.
C840AMUXXXX

REV
K

Customer Drawing

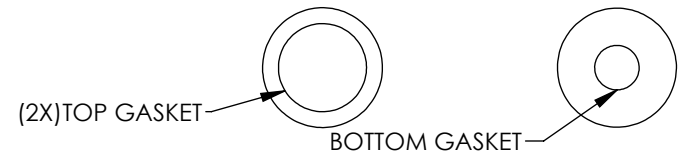
REVISION HISTORY

REV	DESCRIPTION (ECO)	DATE	APPROVED
J	ADD SUFFIX 13.5 ECO 7341	2/22/17	AK
K	ADD SUFFIX 3" CORD LENGTH. ECO 8657	06/21/19	AK



NOTES:

1. MM- MONTH
DD- DAY
YY- YEAR
2. PIN, LABEL, AND GASKET PACKED SEPERATELY.
3. CRITICAL DIMENSIONS ARE CIRCLED AND SUBJECT TO INSPECTION.
4. DIMENSIONS IN PARENTHESES ARE FOR REFERENCE ONLY.
5. ALL DIMENSIONS ARE IN INCHES, WITH NOMINAL DIMENSION IN METRIC.
6. SEE SHEET 2 FOR SUFFIX "X" OPTIONS.



MOLDED PARTS:
GATES, PARTING LINES, AND FLASH PER QUALITY CRITERIA

PROPRIETARY AND CONFIDENTIAL
THE INFORMATION CONTAINED IN THIS DRAWING IS SOLE PROPERTY OF HALKEY-ROBERTS CORPORATION ST. PETERSBURG, FL. ANY REPRODUCTION IN PART OR AS A WHOLE WITHOUT THE WRITTEN PERMISSION OF HALKEY-ROBERTS CORPORATION IS PROHIBITED.

DRAWN BY	M.S.	DATE	06-27-96
APPROVED BY	L.F.	DATE	6-27-96
MATERIAL			
FINISH			
UNLESS OTHERWISE SPECIFIED:	THIRD ANGLE PROJECTION		
DIMENSIONS ARE IN INCHES TOLERANCES: ANGULAR: ± 1° TWO PLACE DECIMAL ± .01 THREE PLACE DECIMAL ± .005			

Halkey-Roberts

INFLATOR ASSY.

SIZE	DRAWING NO.	REV
A	C840AMUXXXX	K
SCALE	DO NOT SCALE DRAWING	SHEET
1:1		1 OF 2