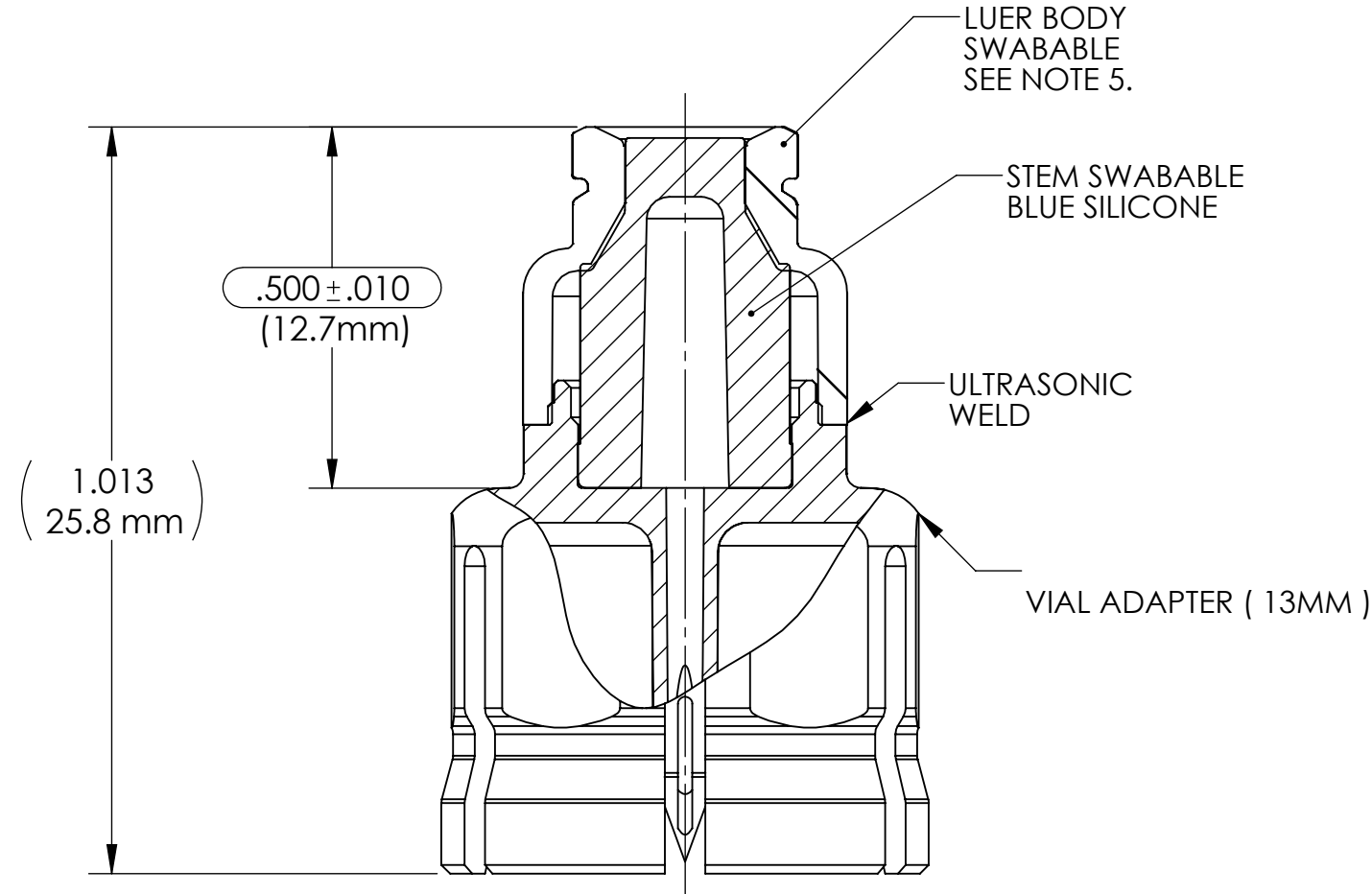


REVISION HISTORY

REV	DESCRIPTION (ECO)	DATE	APPROVED
M	REMOVE PRIMING VOLUME, FLOW RATE NOTES ECO 6445	3/26/15	AK
N	ADD ISO80369-7 TO NOTES, ECO 8017	05/02/18	AK



NOTES:

- SUFFIX INDICATES MATERIAL:
21 - CLEAR POLYCARBONATE
- CRITICAL DIMENSIONS ARE CIRCLED AND ARE SUBJECT TO INSPECTION.
- DIMENSIONS IN PARENTHESES ARE FOR REFERENCE ONLY.
- ALL DIMENSIONS ARE IN INCHES WITH NOMINAL DIMENSIONS IN MILLIMETERS BELOW.
- LUER COMPATIBLE WITH ISO594-2, AND ISO80369-7.

VALVE SPECIFICATION:

BACK PRESSURE: > 30 PSI, REF. (2.1 BAR). (40 PSI NOMINAL) .
 BIOCOMPATABILITY: PASSES ISO 10993, PART 1.
 MATERIALS: ALL MATERIALS ARE GAMMA RESISTANT, MEET USP CLASS VI; ARE DEHP FREE, AND NOT MADE WITH NATURAL RUBBER LATEX.
 POTENTIAL STERILIZATION: ETO; AND GAMMA, BASED ON RAW MATERIAL SPECIFICATIONS.

QUALITY CRITERIA:
O.D. FLASH: .020 MAX. (0.5mm)
GATE VESTIGE: .020 MAX. (0.5mm)
EMBEDDED PARTICLES, BUBBLES, SPOTS, STAINS: 0.3mm ² MAX. NO MORE THAN 3 PER PART.

MOLDED PARTS:
GATES, PARTING LINES, AND FLASH PER QUALITY CRITERIA

PROPRIETARY AND CONFIDENTIAL
THE INFORMATION CONTAINED IN THIS DRAWING IS SOLE PROPERTY OF HALKEY-ROBERTS CORPORATION, ST. PETERSBURG, FL. ANY REPRODUCTION IN PART OR AS A WHOLE WITHOUT THE WRITTEN PERMISSION OF HALKEY-ROBERTS CORPORATION IS PROHIBITED.

DRAWN BY	P.M.	DATE	4/11/2005
APPROVED BY		DATE	
MATERIAL			
FINISH			
UNLESS OTHERWISE SPECIFIED:	THIRD ANGLE PROJECTION		
DIMENSIONS ARE IN INCHES			
TOLERANCES:			
ANGULAR: ± 1°			
TWO PLACE DECIMAL ± .01	SIZE	B	
THREE PLACE DECIMAL ± .005	SCALE	2:1	

HR® Halkey-Roberts®	
TITLE	SWABABLE VIAL ADAPTER 13mm
DRAWING NO.	C2457200XX
REV	N
SHEET	1 OF 2
DO NOT SCALE DRAWING	