

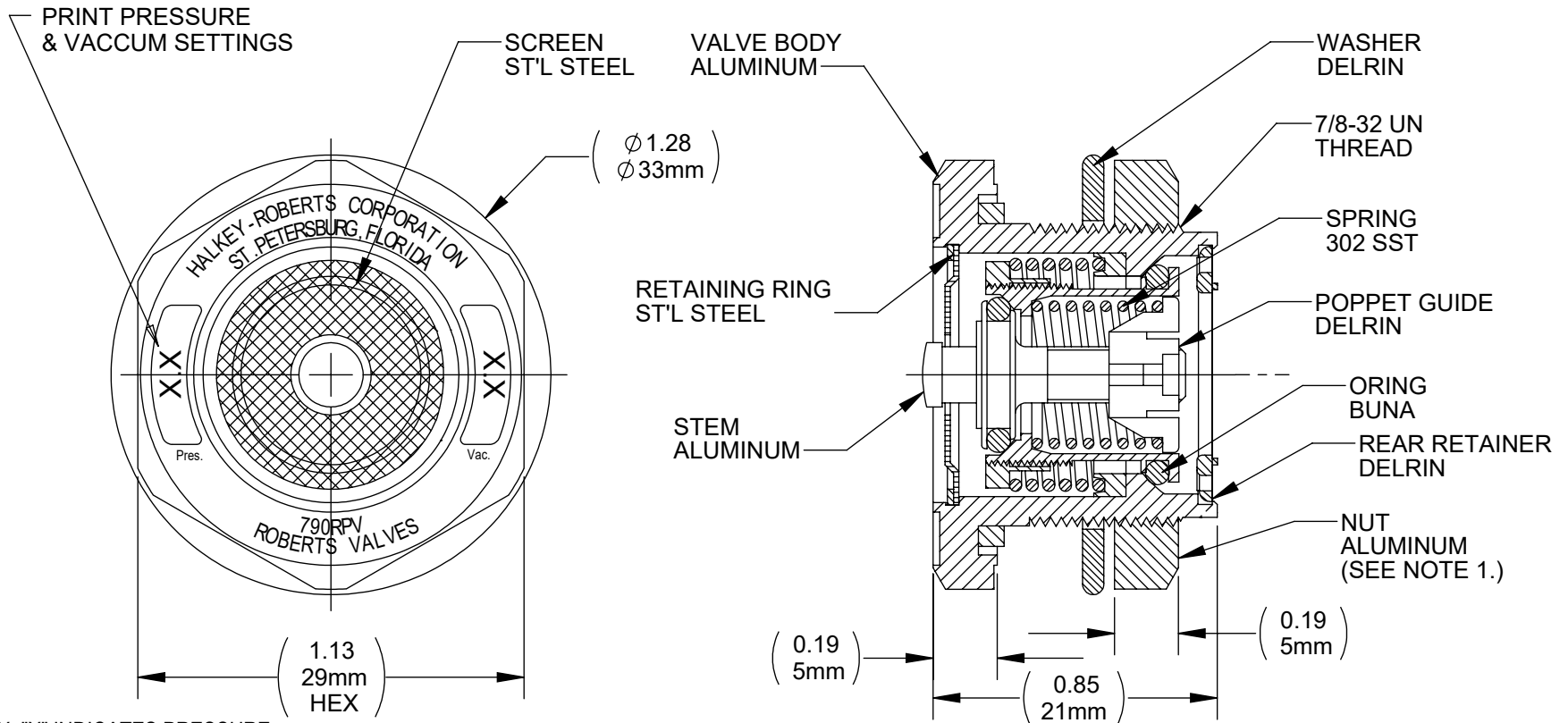
DRAWING NO.
C790RPVXXX

REV
A

Customer Drawing

REVISION HISTORY

REV	DESCRIPTION (ECO)	DATE	APPROVED
A	NEW DRAWING REPLACES C790RPVXX ECO 10435	04/07/20	AK



NOTES:

- 1st SUFFIX, "X" INDICATES PRESSURE.
2nd SUFFIX, "X" INDICATES VACUUM.
3rd SUFFIX, "X" INDICATES NUT OPTION
NO SUFFIX - NUT INCLUDED
LN - LESS NUT
- CRITICAL DIMENSIONS ARE CIRCLED AND SUBJECT TO INSPECTION.
- DIMENSIONS IN PARENTHESIS ARE REFERENCE ONLY.
- ALL DIMENSIONS ARE IN INCHES WITH NOMINAL DIMENSION BELOW IN METRIC.

5. MATERIALS ARE DFARS 252.225.7009, OR 252.225.7014 COMPLIANT .

6. MATERIALS ARE ROHS COMPLIANT.

MOLDED PARTS:
GATES, PARTING LINES, AND FLASH PER QUALITY CRITERIA

PROPRIETARY AND CONFIDENTIAL
THE INFORMATION CONTAINED IN THIS DRAWING IS SOLE PROPERTY OF HALKEY-ROBERTS CORPORATION ST. PETERSBURG, FL. ANY REPRODUCTION IN PART OR AS A WHOLE WITHOUT THE WRITTEN PERMISSION OF HALKEY-ROBERTS CORPORATION IS PROHIBITED.

DRAWN BY	DMC	DATE	04/07/20
APPROVED BY		DATE	
MATERIAL			
FINISH			
UNLESS OTHERWISE SPECIFIED:	THIRD ANGLE PROJECTION		
<small>DIMENSIONS ARE IN INCHES TOLERANCES: ANGULAR: $\pm 1^\circ$ TWO PLACE DECIMAL $\pm .01$ THREE PLACE DECIMAL $\pm .005$</small>			

HR[®] Halkey-Roberts[®]	
TITLE	
DUAL ACTION BREATHER VALVE	
SIZE	DRAWING NO.
A	C790RPVXXX
SCALE	REV
2:1	A
DO NOT SCALE DRAWING	
SHEET	1 OF 1