

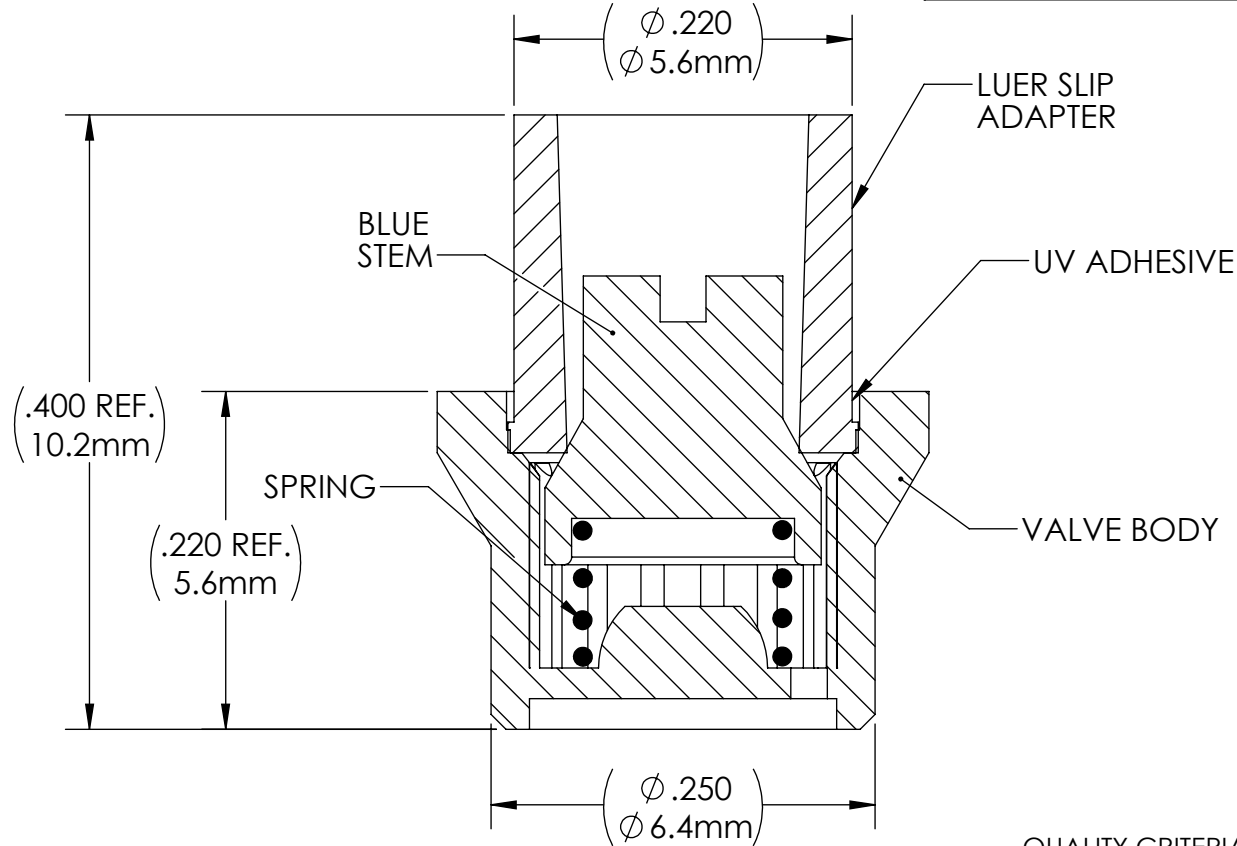
DRAWING NO.
CV24620XX

REV
E

Customer Drawing

REVISION HISTORY

REV	DESCRIPTION (ECO)	DATE	APPROVED
D	ADD SUFFIX OP FOR SPRING, ECO 7889	02/12/18	A.K.
E	ADD REF. DIMENSIONS ECO 10245	11/26/19	AK



NOTES:

- 1ST SUFFIX "X" INDICATES VALVE HOUSING MATERIAL:
24 - CLEAR POLYCARBONATE.
- 2ND SUFFIX "X" INDICATES SPRING OPTION:
NONE - STAINLESS STEEL SPRING
E - ELGILOY
- CRITICAL DIMENSIONS ARE CIRCLED AND SUBJECT TO INSPECTION.
DIMENSIONS IN PARENTHESES ARE FOR REFERENCE ONLY.
ALL DIMENSIONS ARE IN INCHES WITH NOMINAL DIMENSION IN METRIC BELOW.
- TEST: PRESSURE DECAY @ 5 PSIG, REJ. LEVEL = 0.01 PSIG/5 SEC.

SECTION E-E
SCALE 8 : 1

QUALITY CRITERIA

O.D. FLASH: 0.005 MAX (0.4mm)
GATE VESTIGE: 0.01 MAX (0.3mm)
EMBEDDED PARTICLES, BUBBLES, SPOTS, STAINS: 0.3mm ² MAX. NO MORE THAN 3 PER PART.

MOLDED PARTS:
GATES, PARTING LINES, AND FLASH PER QUALITY CRITERIA

PROPRIETARY AND CONFIDENTIAL
THE INFORMATION CONTAINED IN THIS DRAWING IS SOLE PROPERTY OF HALKEY-ROBERTS CORPORATION ST. PETERSBURG, FL. ANY REPRODUCTION IN PART OR AS A WHOLE WITHOUT THE WRITTEN PERMISSION OF HALKEY-ROBERTS CORPORATION IS PROHIBITED.

DRAWN BY	M.S.	DATE	
APPROVED BY		DATE	
MATERIAL			
FINISH			
UNLESS OTHERWISE SPECIFIED: DIMENSIONS ARE IN INCHES TOLERANCES: ANGULAR: ± 1° TWO PLACE DECIMAL ± .01 THREE PLACE DECIMAL ± .005	THIRD ANGLE PROJECTION		

HR® Halkey-Roberts®			
TITLE CATHETER VALVE, 8.0 psi			
SIZE A	DRAWING NO. CV24620XX	REV E	
SCALE 4:1	DO NOT SCALE DRAWING	SHEET 1 OF 2	