

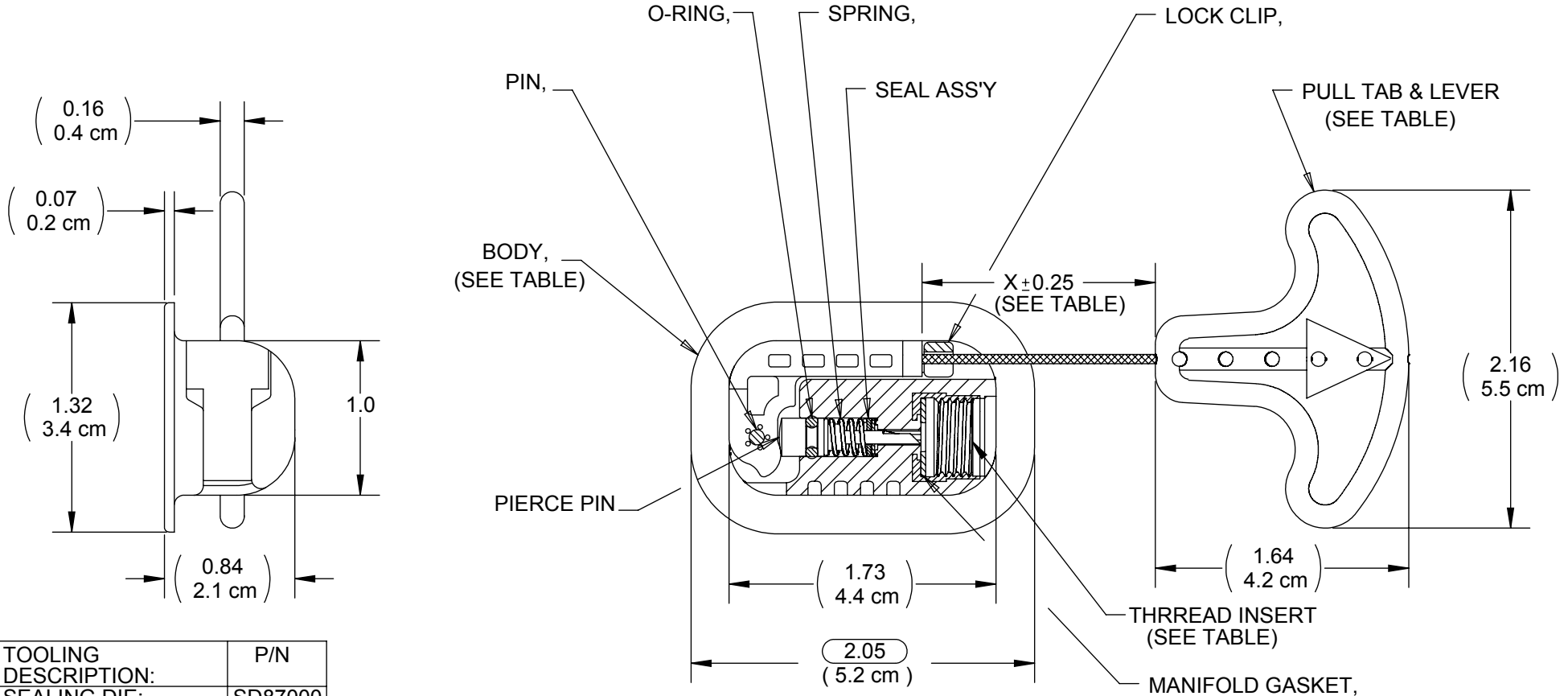
DRAWING NO.
CV870XXXX

REV
F

Customer Drawing

REVISION HISTORY

REV	DESCRIPTION (ECO)	DATE	APPROVED
E	ADD DFARS, ROHS, REACH NOTES ECO 6525	2/09/15	LF
F	UPDATE TOOLING TABLE, ADD PIVOT PIN REMOVAL TOOL ADD SHEET 2. ECO 7480	5/01/17	LF



TOOLING DESCRIPTION:	P/N
SEALING DIE:	SD87000
PIVOT PIN REMOVAL:	TV87110

NOTES:

- CRITICAL DIMENSIONS ARE CIRCLED AND SUBJECT TO INSPECTION.
- DIMENSIONS IN PARENTHESES ARE FOR REFERENCE ONLY.
- ALL DIMENSIONS ARE IN INCHES WITH THE NOMINAL DIMENSION IN METRIC BELOW.
- MATERIALS ARE DFARS 252.225.7009, OR 252.225.7014 COMPLIANT.

5. MATERIALS ARE ROHS COMPLIANT.

6. MATERIALS ARE REACH COMPLIANT.

SUFFIX OPTIONS: "X"

FIRST SUFFIX "X"	TH'D SIZE
1	3/8-24 UNF
2	1/2-20 UNF

SECOND SUFFIX "X"	BODY COLOR
G	GREY
T	TAN

THIRD SUFFIX "X"	CORD LENGTH
TAB	X ± 0.25
T4	4 (10.2 cm)
T5	5 (12.7 cm)

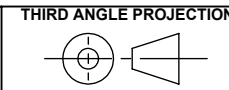
FOURTH SUFFIX "X"
NO SUFFIX - NO PRINT
P - PRINT

MOLDED PARTS:
GATES, PARTING LINES, AND FLASH PER QUALITY CRITERIA

PROPRIETARY AND CONFIDENTIAL
THE INFORMATION CONTAINED IN THIS DRAWING IS SOLE PROPERTY OF HALKEY-ROBERTS CORPORATION ST. PETERSBURG, FL. ANY REPRODUCTION IN PART OR AS A WHOLE WITHOUT THE WRITTEN PERMISSION OF HALKEY-ROBERTS CORPORATION IS PROHIBITED.

DRAWN BY	DMC	DATE	07-17-00
APPROVED BY	LF	DATE	
MATERIAL			

UNLESS OTHERWISE SPECIFIED:
DIMENSIONS ARE IN INCHES
TOLERANCES:
ANGULAR: ± 1°
TWO PLACE DECIMAL ± .01
THREE PLACE DECIMAL ± .005



HR® Halkey-Roberts®

TITLE
HEAT SEAL INFLATOR ASSY.

SIZE **A** **DRAWING NO.** **CV870XXXX** **REV** **F**

SCALE **1:1** **DO NOT SCALE DRAWING** **SHEET** **1 OF 2**